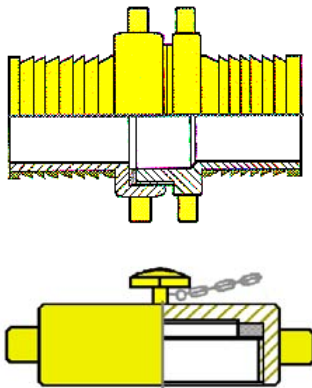


US STANDARD



US pinn lug - NH thread



NH threaded hose couplings - Brass

NH thread For hose i.d. Part no:

1.1/2" - 9 TPI	1.1/2"	
2.1/2" - 7.1/2 TPI	1.1/2"	
2.1/2" - 7.1/2 TPI	2	
2.1/2" - 7.1/2 TPI	2.1/2"	

NH adapters with BSP male thread - Brass

NH thread BSP male thread

1.1/2" male	2" male
2.1/2" male	2" male
2.1/2" male	2.1/2" male

NH coupling spanner - pinn lug type

2.1/2"

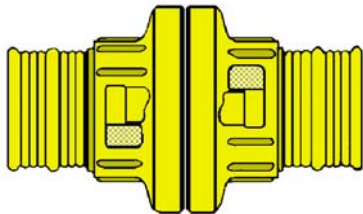


Spanner

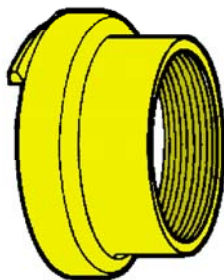
NH cap - brass - pinnlug type

1.1/2" - 9 TPI
2.1/2" - 7.1/2 TPI

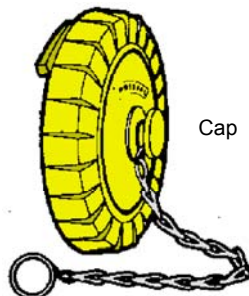
SWEDISH TYPE



Swedish couplings - SMS



Adaptor



Cap

Swedish couplings made of Pressal - SMS

Size For hose i.d. Part no:

63 mm	1.1/2"	
63 mm	2	
63 mm	2.1/2"	

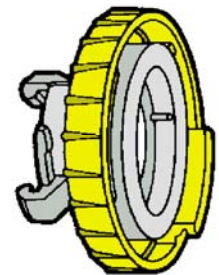
Swedish adapters - SMS

Size BSP male thread

63 mm	2" female
63 mm	2.1/2" female

Swedish reducing coupling

63 mm x 32 mm



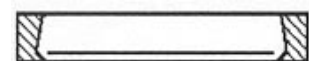
Reducer

Swedish cap - SMS

63 mm

Swedish gasket

63 mm



Gasket